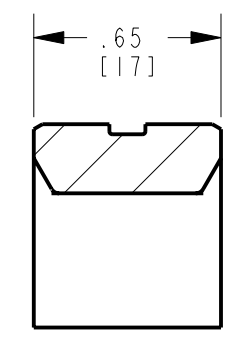
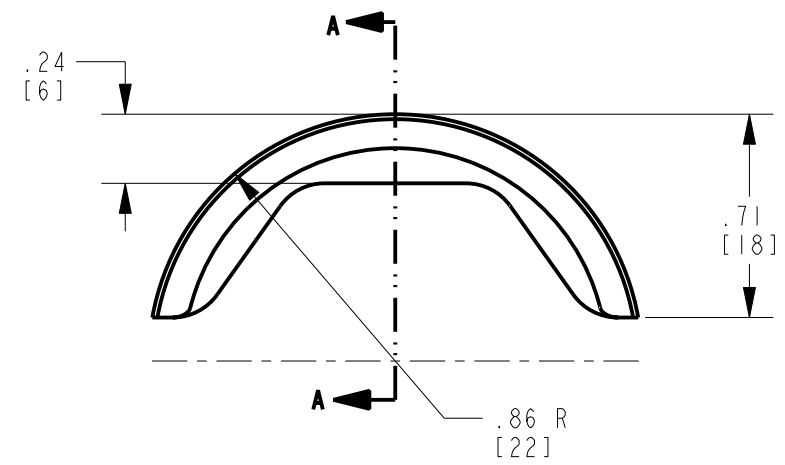
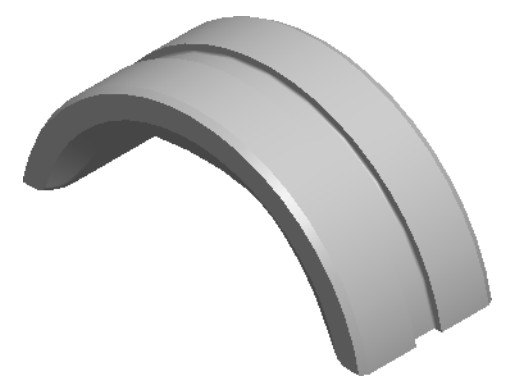
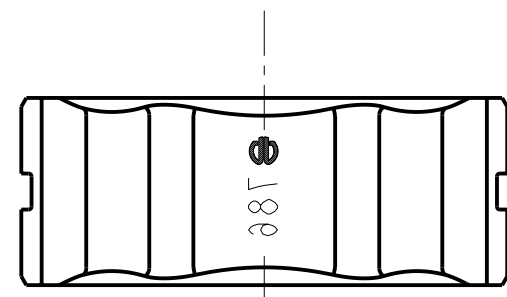


REV.	DATE	DESCRIPTION	ECO	BY	C'H'K.
A	12/20/2012 00:00:00 AM	SALES DRAWING CREATION	29952	YM	MB

BURNDY U786
INDEX 786



SECTION A-A



NOTES:

- DIMENSIONS IN BRACKETS [] ARE IN MILLIMETERS ROUNDED OFF TO THE NEAREST MILLIMETER, UNLESS OTHERWISE SPECIFIED AND ARE FOR REFERENCE ONLY.
- MATERIAL: STAINLESS STEEL.

TO ORDER BURNDY® PRODUCTS CALL
 UNITED STATES:
 1-800-346-4175 (LONDONDERRY, NH)
 CANADA:
 1-800-361-6975 (QUEBEC)
 1-800-387-6487 (ALL OTHER PROVINCES)
 FOR PRODUCT INFO: <http://www.burndy.com>

HEXAGONAL NON-BUTTING TWIN DIES				
ITEM NO: 420810				
CAT. NO: U786				
DRAWN BY:	YUVARAJ.M	12/20/2012		
CHECKER:	P. WASON	02/24/2014		
DSN APPVL:	P. WASON	02/24/2014		
MFG APPVL:	--	--		
QA APPVL:	C. ACKERMAN	02/27/2014		
MKT APPVL:	M. RZASA	02/24/2014	SCALE: 3:1	
PROD FAM:	--		DRAWING NO	REV
PROJECT #:	--	SIZE	50016743	A
DOCUMENT TYPE:	Sales	B	SHEET 1 OF 1	
REL LEVEL:	Released			

REV: PE0200